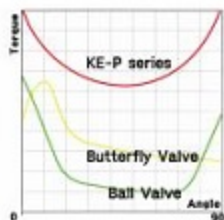


Electric actuator (KE-P series)



- Optimized for a ball/butterfly valves that open and close at an angle of 90°.
- Convenient since it can be mounted directly onto the valves or accessories in accordance with the ISO standards.
- Designed conveniently to allow users to use easily.



Plastic intermediate cap

There will be no rubbing off even when used for a long period or exposure to sunlight by the use of plastic cap, a non-printing method.

Self locking

Designed to prevent overheating that occurs due to repeated forward & reverse rotation by a wrong signal.

Dome type indicator

Since indicator is exposed to the outside, it is easy to check the status of opening and closing of the valve at a distance.

Captive bolt

Bolts shall not be lost even though the cover is opened for wiring.



Terminal Box

Safe and simple wiring is possible by just opening the terminal box without the need of opening & closing whole product.

Low power consumption design

Lesser power consumption by the use of an exclusive special motor.



KOSAPLUS Co.,Ltd.
301-1Ho, 38a, 294, Gongdan2daero, Siheung, Gyeonggi, 429-936, Korea
• <http://www.kosaplus.com> • Tel:+82-31-433-3159 • Fax:+82-31-433-3151
Catalog Version : 3.2PG (Apr. 2015)

► PERFORMANCE

MODEL	MAX TORQUE (Nm)			OPERATING TIME 50Hz/ 60Hz(sec)	RATED CURRENT (A)					DUTYCY- CLE (%)	MOTOR INSULA- TION CLASS	No. OF HANDLE TURNS
	0°	45°	90°		AC(1PHASE)		AC(3PHASE)		DC			
					110V	220V	380V	440V				
KE010-3P	100	65	100	22/18	0.5	0.3	N/A	N/A	3	S2 40%	*F	15
KE010-4P	80	50	80	18/14	0.5	0.3	N/A	N/A	3	S2 40%	*F	11
KE010-5P	60	40	60	14/11	0.5	0.3	N/A	N/A	3	S2 40%	*F	9
KE016-3P	160	107	160	28/23	1.05	0.55	N/A	N/A	5	S2 40%	*F	19
KE016-4P	130	85	130	22/18	1.05	0.55	N/A	N/A	5	S2 40%	*F	16
KE016-5P	100	65	100	18/14	1.05	0.55	N/A	N/A	5	S2 40%	*F	13
KE028-3P	280	190	280	40/33	1.05	0.55	N/A	N/A	5	S2 40%	*F	23
KE028-4P	240	160	240	30/25	1.05	0.55	N/A	N/A	5	S2 40%	*F	19
KE028-5P	190	125	190	24/20	1.05	0.55	N/A	N/A	5	S2 40%	*F	15
KE040-3P	400	270	400	40/33	1.5	0.7	0.15	0.16	7	S2 40%	*F	23
KE040-4P	350	240	350	30/25	1.5	0.7	0.15	0.16	7	S2 40%	*F	19
KE040-5P	300	220	300	24/20	1.5	0.7	0.15	0.16	7	S2 40%	*F	15
KE050-3P	500	350	500	40/33	2	1	0.28	0.30	N/A	S2 40%	F	23
KE050-4P	450	310	450	30/25	2	1	0.28	0.30	N/A	S2 40%	F	19
KE050-5P	400	280	400	24/20	2	1	0.28	0.30	N/A	S2 40%	F	15

*Motor insulation class of 24V DC is B.

► SELECTION GUIDE

VALVE SIZE		BALL VALVE (2WAY/10K/#150)	BUTTERFLY VALVE (10K/#150)
1/2"	15A	KE002	
3/4"	20A		
1"	25A	KE004	
1-1/4"	32A	KE005	
1-1/2"	40A	KE006	
2"	50A	KE008	KE004
2-1/2"	65A	KE010	KE005
3"	80A	KE016	KE006
4"	100A	KE028	KE008
5"	125A	KE040	KE010
6"	150A	KE050	KE016
8"	200A		KE028
10"	250A		KE040
12"	300A		KE050

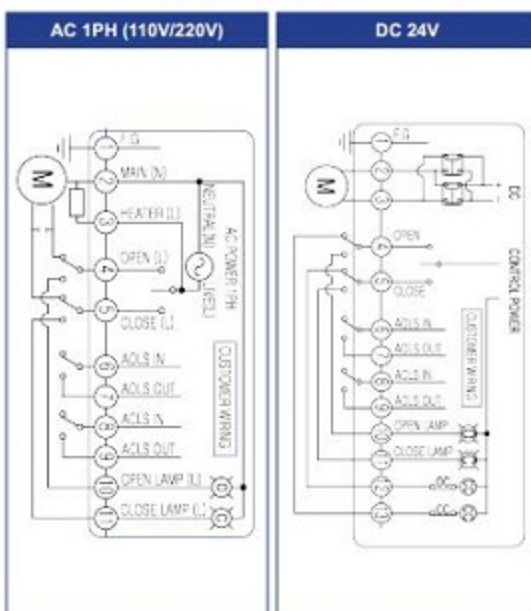
The above data is for reference only;

the actual assembly may be different depending on valve material, pressure, structure, fluid and operational environment.

STANDARD SPECIFICATION

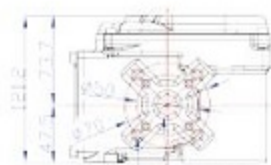
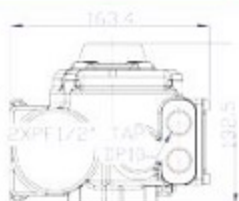
ENCLOSURE	WEATHER PROOF IP67
MAIN POWER	110V, 220V AC 50Hz/60Hz, 24V DC
DUTY CYCLE	S2 40%, MAX. 30minutes
INDICATOR	DOME TYPE MECHANICAL INDICATOR
LIMIT SWITCHES	2EACH FOR OPEN & CLOSE (SPDT 250VAC/16A)
MANUAL OPERATION	KE010~KE016 : BY WRENCH 6mm(HEX.) KE028~KE050 : BY WRENCH 8mm(HEX.)
TRAVEL ANGLE	90°±5°
CABLE ENTRIES	2-PF 1/2"
AMBIENT TEMPERATURE	-20°C~+60°C
EXTERNAL COATING	POWDER COATING
INSIDE HEATER	1PH 220V/110 5W

WIRING (KE010~KE050)



DIMENSION

KE010

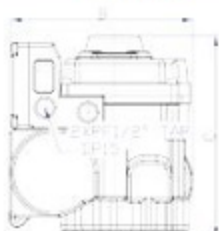


Wt(Kg)

3.0

ISO 5B11 14 N14K DP12
F05/F06 TAP DP12 14 P 17*17
F07/F08 TAP DP12

KE016~050



#Option

MODEL	A	B	C	D	d1	d2	ISO	P.C.D	N-M	CH	DTH	Wt(Kg)
KE016	157.0	170.5	189.8	157	62	95	F05/F07/WF10	50/70/#102	4-M6/M8/M10	17	19	6.2
KE028	181.9	208.9	209.0	181.9	73.7	108.2	F07/F10/WF12	70/102/#125	4-M8/M10/#M12	22	19	8.9
KE040												9.4
KE050												9.4

Electric actuator (KE-G series)



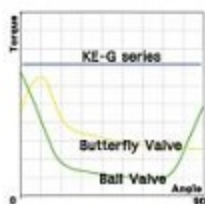
Plastic intermediate cap

There will be no rubbing off even when used for a long period or exposure to sunlight by the use of plastic cap, a non-printing method.



Terminal Box

Safe and simple wiring is possible by just opening the terminal box without the need of opening & closing whole product.



SIZE	BALL VALVE (2WAY/10K/#150)	BUTTERFLY VALVE (10K/#150)
1/2"	15A	KE002
3/4"	20A	KE004
1"	25A	KE005
1-1/4"	32A	KE006
1-1/2"	40A	KE008
2"	50A	KE004
2-1/2"	65A	KE005
3"	80A	KE006
4"	100A	KE008

The above data is for reference only; the actual assembly may be different depending on valve material, pressure, structure, fluid and operational environment.

▶ PERFORMANCE

▶ KE002/KE004/KE006/KE008 (Single-voltage Type)

MODEL	MAX TORQUE(Nm)	OPERATING TIME 50Hz/60Hz(sec)	RATED CURRENT(A)			DUTYCYCLE(%)	No. OF HANDLE TURNS
			AC(1PH)		DC		
			110V	220V	24V		
KE002-6G	20	17.5/14.5	0.2	0.1	2.5	S2 40%	3
KE002-5G	10	7/6	0.2	0.1	2.5	S2 40%	3
KE004-5G	40	14.5/12	0.38	0.2	3	S2 40%	3
KE004-4G	15	6/5	0.38	0.2	3	S2 40%	3
KE006-6G	60	18/15	0.5	0.3	3	S2 40%	3
KE006-5G	25	8/6.5	0.5	0.3	3	S2 40%	3
KE008-6G	80	17/14	0.5	0.3	3	S2 40%	20
KE008-5G	40	8/6	0.5	0.3	3	S2 40%	20

*KE006's data can be changed.

▶ KE005 (Multi-voltage type)

MODEL	MAX TORQUE (Nm)	OPERATING TIME 50Hz/60Hz(sec)	RATED CURRENT (A)			DUTYCYCLE(%)	No. OF HANDLE TURNS
			100V~250V AC	24V AC/24V DC	24V DC*		
KE005-8G	50	13	0.5~0.2	3.5A	3.5A	S2 40%	18
KE005-7G	20	6	0.5~0.2	3.5A	3.5A	S2 40%	18

*24V DC is Control Board embedded.

▶ STANDARD SPECIFICATION

▶ KE002/KE004/KE006/KE008

#Option

ENCLOSURE	WEATHER PROOF IP67
MAIN POWER	110V, 220V AC 1PH 50Hz/60Hz, 24V DC
DUTY CYCLE	S2 40%, MAX 30minutes
INDICATOR	DOME TYPE MECHANICAL INDICATOR
LIMIT SWITCHES	2EACH FOR OPEN & CLOSE (SPDT 250VAC/5A)
MANUAL OPERATION	(KE002~006) BY SPANNER 5mm (KE008) BY WRENCH 5mm (HEX.)
TRAVEL ANGLE	90°±5
CABLE ENTRIES	(KE002~006) 1-PF1/2" (KE008) 2-PF1/2"
AMBIENT TEMPERATURE	-20°C~+60°C
EXTERNAL COATING	POWDER COATING
INSIDE HEATER	(KE002~006) N/A (KE008) 1PH 220V/110V AC
ISO5211, CH STEM, WEIGHT	(KE002) F03/F05, CH 11"11 DP15, 0.9Kg (KE004) F03/F05, CH 11"11 DP15, 1.5Kg (KE006) F03/F05/F07, CH 14"14 DP19 (KE008) F03/F05/F07, CH 14"14 DP15/ #F05/F07, #CH 17"17 DP19, 2.6Kg
CABLE ENTRY	(KE002) CABLE WIRE TYPE (KE004/KE006/KE008) TERMINAL BOX TYPE

▶ KE005

#Option

ENCLOSURE	WEATHER PROOF IP67
MAIN POWER	110V, 220V, AC 1PH, 50Hz/60Hz, 24V DC
DUTY CYCLE	S2 40%, MAX 30minutes
INDICATOR	DOME TYPE MECHANICAL INDICATOR
LIMIT SWITCHES	2EACH FOR OPEN & CLOSE (SPDT 250VAC/5A)
MANUAL OPERATION	BY WRENCH 5mm (HEX.)
TRAVEL ANGLE	90°±5
CABLE ENTRIES	2-PF1/2"
AMBIENT TEMPERATURE	-20°C~+60°C
EXTERNAL COATING	POWDER COATING
INSIDE HEATER	HEATING ELEMENT ON PCB (4wire type)
ISO5211, CH STEM, WEIGHT	F03/F05/#F07, CH 11"11 DP15/#CH 14"14 DP17, 1.3Kg
CABLE ENTRY	TERMINAL BOX TYPE